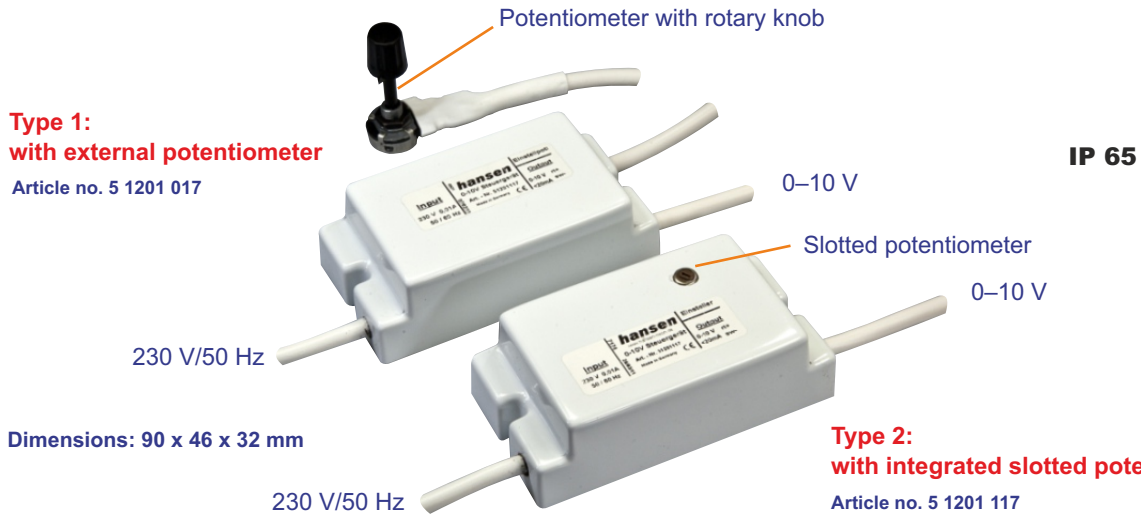


0–10 V Controller with Potentiometer



This device is designed to supply the 0–10 V control voltage required by many dimmable converters.

The controller is fully embedded in a white plastic housing and provided with two 1 m connecting cables.

The control voltage is adjusted by means of a potentiometer. The device is available in two versions:

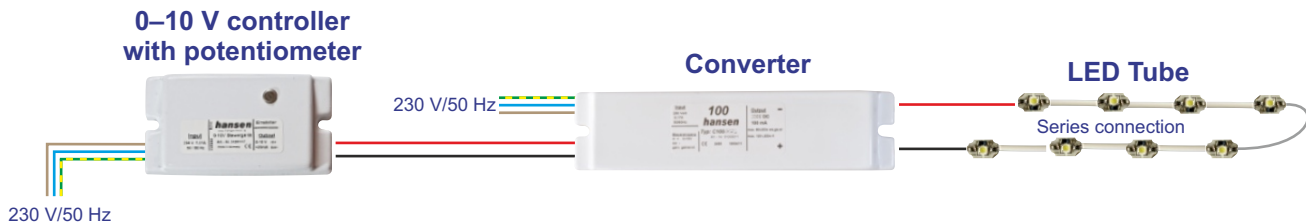
Type 1: Has an external potentiometer with a rotary knob connected to the device by a 1 m cable.

Type 2: Has a small slotted potentiometer integrated in the housing, which can be operated with a screwdriver.

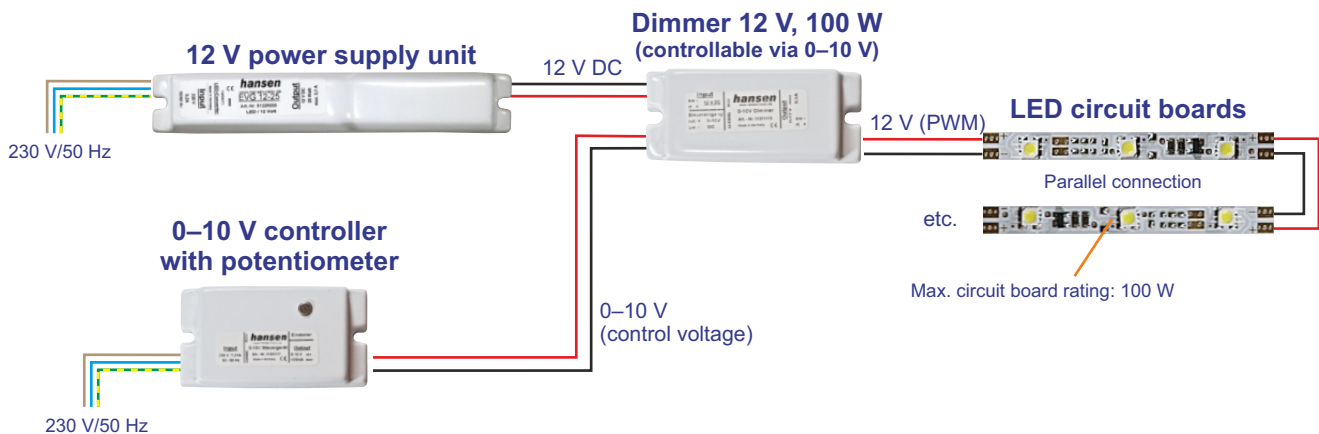
The following converters can be used with the controller:

- C25/300D
- C25/990D
- C50/500D
- C50/990D
- C100/300D
- C100/990D
- C350/180D
- C350/300D
- C500/120D
- C500/200D
- C750/85D
- C750/140D

Connection scheme for dimmable converters



Connection scheme for 12 V dimmers



Technical modifications reserved. Content is protected by copyright.

January 2019 L75e/01/2019