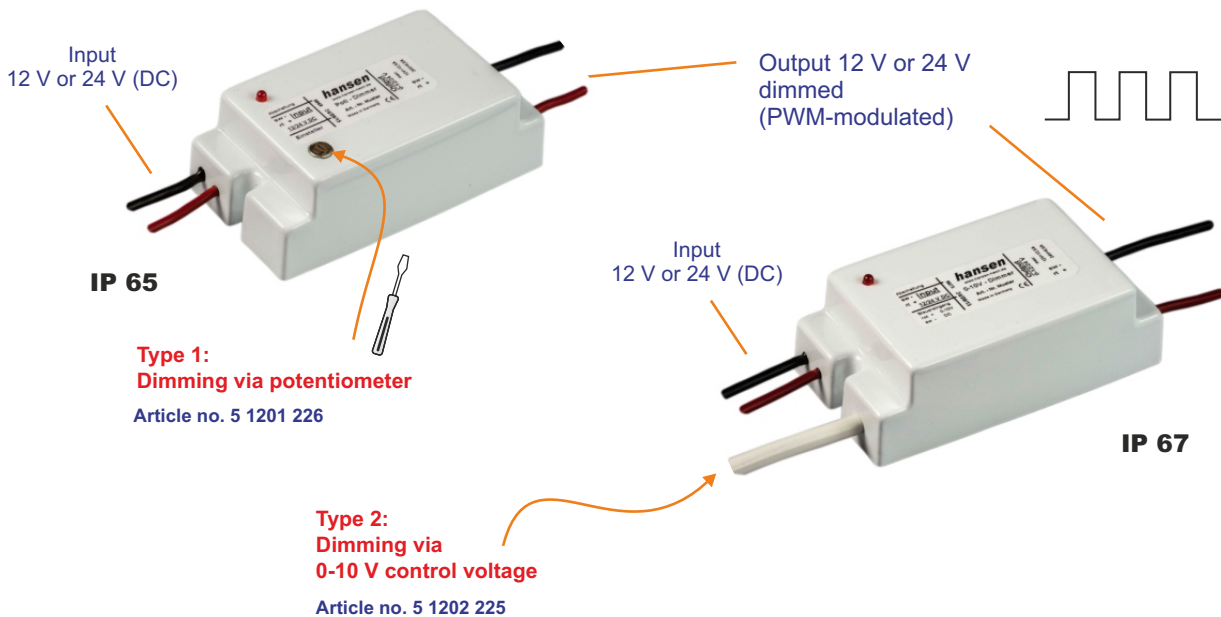


## Description

### Dimmer 12/24 V 150 W



The 12/24 V 150 W dimmer is designed to dim 12 V or 24 V circuits.

The dimmer is available in two versions:

- Type 1:** Dimming is achieved by hand with a small screwdriver.
- Type 2:** Dimming is achieved by means of a 0-10 V control voltage supplied to the dimmer by a control unit.

The device uses the input voltage of 12 or 24 V to generate a pulsating output voltage corresponding to a dimming range of 0-12/24 V.

The maximum output current is 8.5 A corresponding to 150 W power.

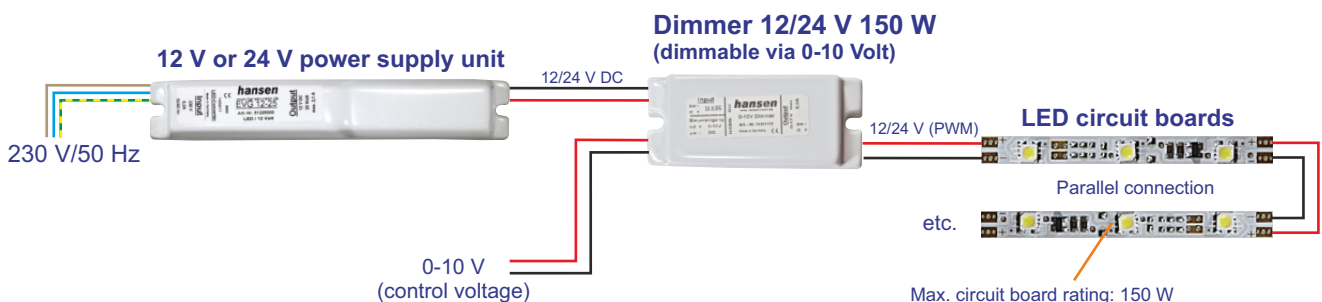
The output voltage is PWM-modulated (**PWM = pulse-width modulation**).

The 750 mm input and output cables (12/24 V) are single-pole.  
The control cable is a 1 m 2-pole cable.

#### Type 1: Dimming via potentiometer



#### Type 2: Dimming via 0-10 V control voltage



Technical modifications reserved. Content is protected by copyright.

January 2019 L118e/01/2019