

* EVG is the common abbreviation of the German term for electronic ballast and used by us as a product name.

EVG* LED 24/240 (extra-low voltage)

General description

Electronic ballast converting the AC input voltage (230 V, 50/60 Hz) into a 24 V DC voltage. The device is primarily designed for the operation of light-emitting diodes (LEDs).

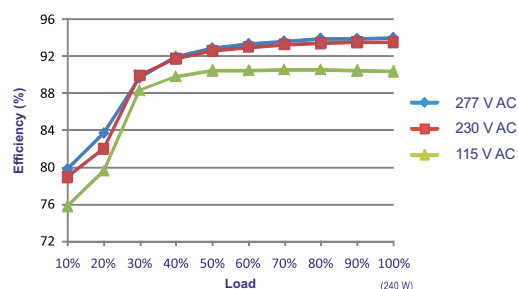
The electronic components are contained in a metal housing and fully embedded in artificial resin for additional insulation ensuring IP65 protection against dust and moisture.

The electrical connection is made by a three-core mains cable provided on the input side (230 V) and a two-core DC cable on the output side (24 V).

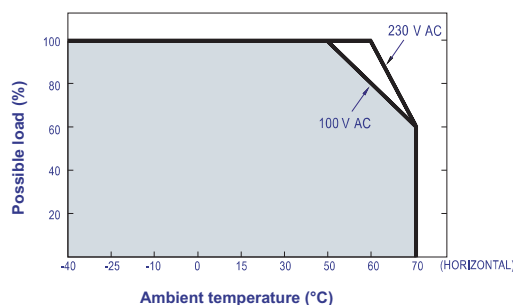
Device data

<u>Weight</u>	1.3 kg
<u>Standards</u>	EN61347-1, EN61347-2-13 and others
<u>Temperatures</u>	Ambient temperature range: -40 °C to +70 °C
<u>Housing</u>	Aluminium shell, fully potted electronics
<u>Protection class</u>	I
<u>Degree of protection</u>	IP65
<u>Input voltage</u>	90–305 V AC, 47–63 Hz 127–431 V DC
<u>Input current</u>	Max. 1.15 A at 230 V mains voltage
<u>Output voltage</u>	24 V DC +/- 1%
<u>Output current</u>	Max. 10 A at 24 V
<u>Protection</u>	Short-circuit, overcurrent, overvoltage, overtemperature

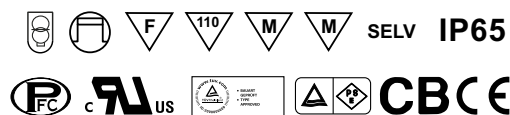
Efficiency curve (efficiency as a function of load)



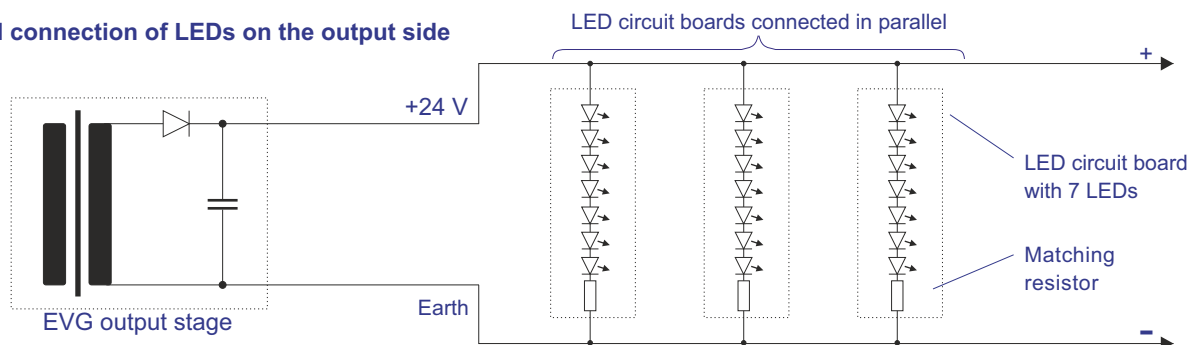
Derating curve (possible load as a function of ambient temperature)



Certification marks



Typical connection of LEDs on the output side



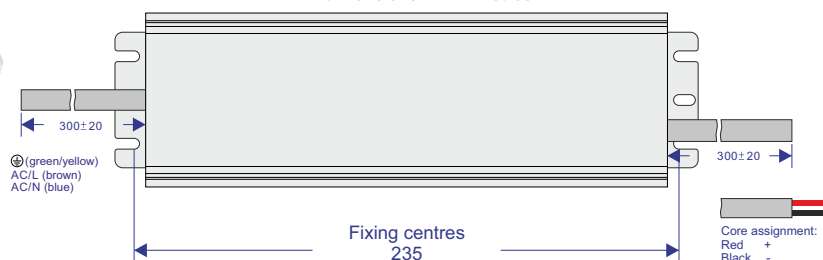
Housing dimensions

Article no. 5 2450 150



L x W x H: 244 x 68 x 39 mm

Housing colour: silver
All dimensions in millimetres



Technical modifications reserved. Content is protected by copyright.

January 2019 ELV-24-240/01/2019