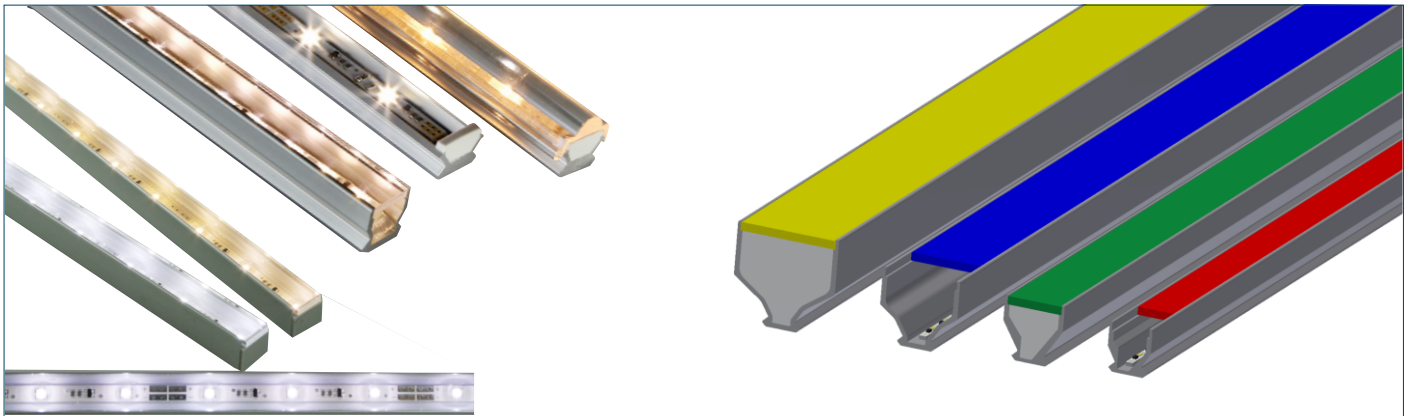


## LED Mini Profile



### Technical description

**LED Mini Profile** is a collective term for our small linear LED luminaires designed to create illuminated lines inside and outside buildings.

The **hansen LED Mini Profiles Type 5** and **Type 220** are designed for the illumination of objects. Type 220 is equipped with a transparent protective cover made of acrylic glass.

The **LED Mini Profiles Type 911 to 960** are equipped with a white or coloured protective cover made of acrylic glass. This translucent cover is illuminated by the LEDs creating a fine illuminated line.

A common feature of the **LED Mini Profiles** is the extruded aluminium profile housing the LEDs. The open side of the u-shaped profile is covered by acrylic glass. The LEDs are embedded in a transparent potting compound.

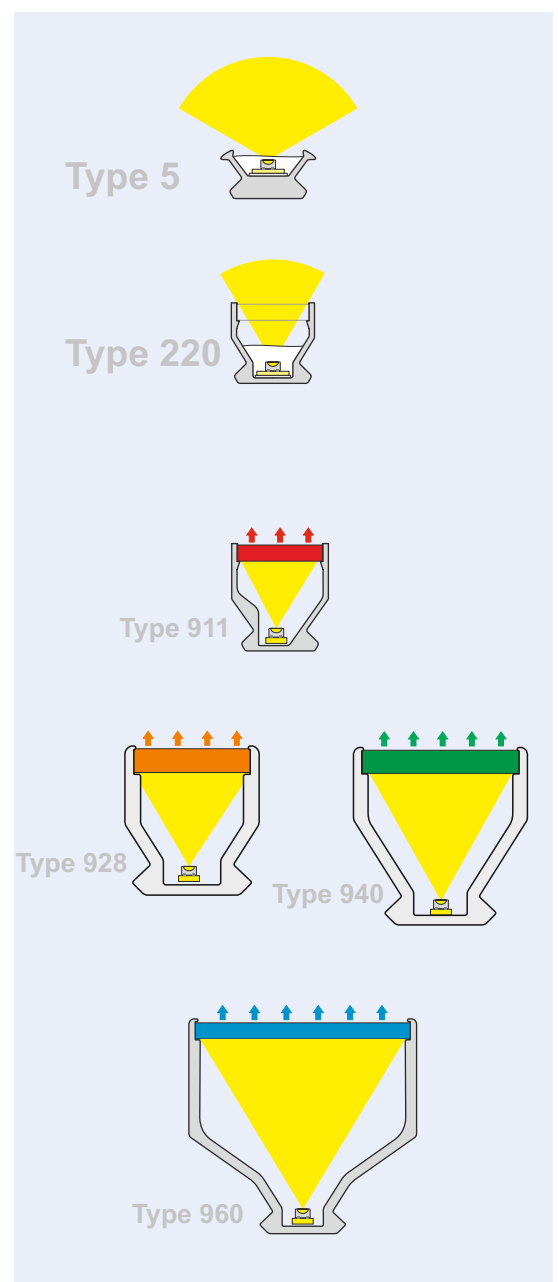
The **LED Mini Profile** is made to customer specification, i.e. we do not keep them in stock.

The following can be specified:

- Type of Mini Profile
- Length
- Acrylic cover
- LED type/light colour
- Position of the connecting cable

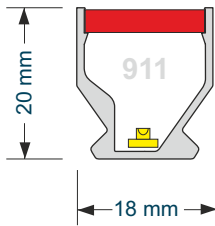
The aluminium profile has a light-grey anodized surface and features a specially shaped rear which allows the profile to be fixed using our mounting brackets or mounting profile.

The **LED Mini Profile** is designed for 12 and 24 volts operation (**IP65**).

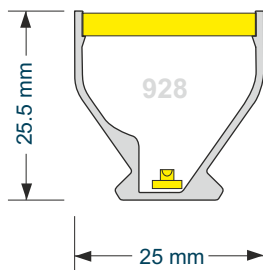


LED Mini Profile Types 911 · 928 · 940 · 960

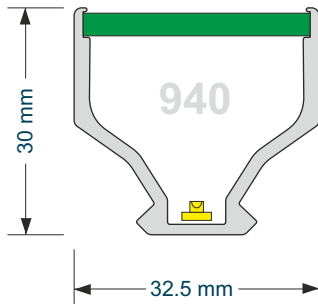
Type 911



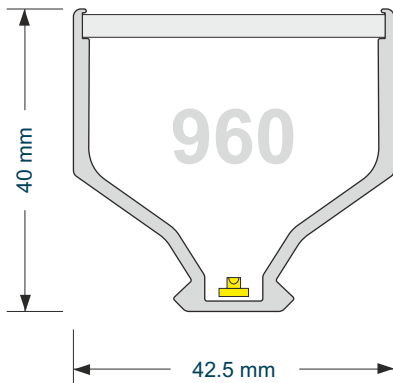
Type 928



Type 940



Type 960



IP 65

- Available for 12 V and 24 V operation
- Max. available length in one piece: 3,000 mm



Designation	Operation Voltage	Partition grid	Power/m
Type 911 white	12 V / 24 V	36 mm / 84 mm	8,4 W / 7.2 W
Type 928 white	12 V / 24 V	36 mm / 84 mm	8,4 W / 7.2 W
Type 928 tunable white	12 V / 24 V	45 mm / 105 mm	13.3 W / 11.4 W
Type 928 RGB	12 V / 24 V	45 mm / 90 mm	16 W
Type 928 RGBW	12 V / 24 V	45 mm / 105 mm	21.3 W / 18.3 W
Type 928 Rainbow-RGBW	24 V	90 mm	14.5 W
Type 928 single colour smart running light	24 V	105 mm	12.5 W
Type 940 white	12 V / 24 V	36 mm / 84 mm	8.4 W / 7.2 W
Type 940 tunable white	12 V / 24 V	45 mm / 105 mm	13.3 W / 11.4 W
Type 940 RGB	12 V / 24 V	45 mm / 90 mm	16 W
Type 940 RGBW	12 V / 24 V	45 mm / 105 mm	21.3 W / 18.3 W
Type 940 Rainbow-RGBW	24 V	90 mm	14.5 W
Type 940 single colour	24 V	105 mm	12.5 W
Type 960 white	12 V / 24 V	36 mm / 84 mm	8.4 W / 7.2 W
Type 960 tunable white	12 V / 24 V	45 mm / 105 mm	13.3 W / 11.4 W
Type 960 RGB	12 V / 24 V	45 mm / 90 mm	16 W
Type 960 RGBW	12 V / 24 V	45 mm / 105 mm	21.3 W / 18.3 W
Type 960 Rainbow-RGBW	24 V	90 mm	14.5 W
Type 960 single colour smart running light	24 V	105 mm	12.5 W

Mounting accessories

Spring steel mounting bracket Type 1 (16 x 11,4 mm)

Article no.

5 6700 001

Spring steel mounting bracket Type 2 (30 x 40 mm)

5 6700 011

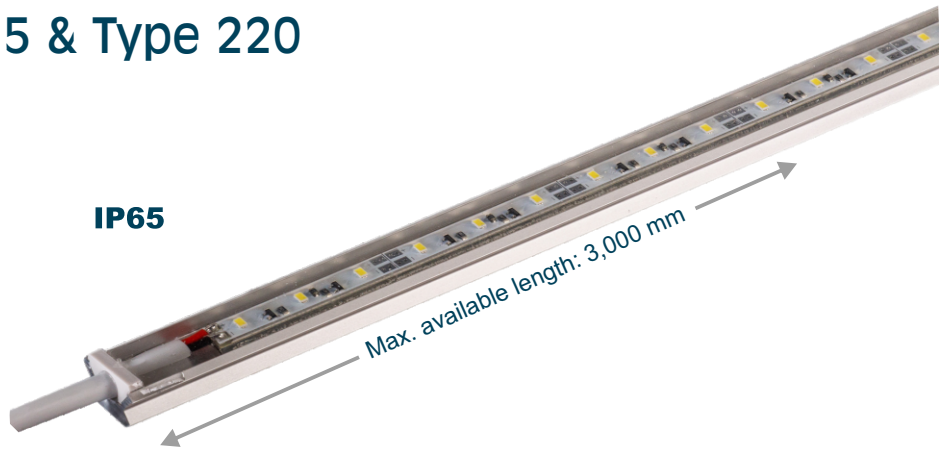
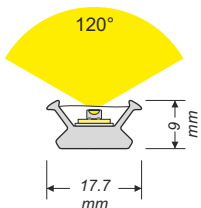
Mounting profile Type 2 (38 x 11 mm)

5 6700 006



LED Mini Profile Type 5 & Type 220

Type 5



IP65

- Available for 12 V and 24 V operation (IP 65)
- Maximum available length: 3,000 mm

Type 5

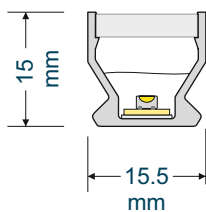
Designation	Operation Voltage	Partition grid	Power/m
Type 5 white	12 V / 24 V	45 mm / 105 mm	13.3 W / 11.4 W
Type 5 tunable white	12 V / 24 V	45 mm / 105 mm	13.3 W / 11.4 W
Type 5 RGB	12 V / 24 V	45 mm / 90 mm	16 W
Type 5 RGBW	12 V / 24 V	45 mm / 105 mm	21.3 W / 18.3 W
Type 5 Rainbow RGBW	24 V	90 mm	14.5 W
Type 5 single colour smart running light	24 V	105 mm	12.5 W

Light colours

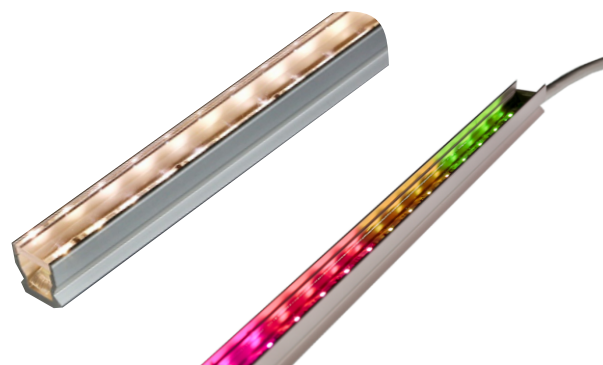
2700 K | 3000 K | 4000 K | 5000 K | 6500 K



Type 220

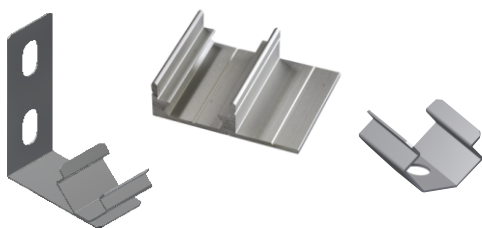


IP65



Type 220

Mounting accessories:  
See page 2



Designation	Operation Voltage	Partition grid	Power/m
Type 220 white	12 V / 24 V	45 mm / 105 mm	13.3 W / 11.4 W
Type 220 tunable white	12 V / 24 V	45 mm / 105 mm	13.3 W / 11.4 W
Type 220 RGB	12 V / 24 V	45 mm / 90 mm	16 W
Type 220 RGBW	12 V / 24 V	45 mm / 105 mm	21.3 W / 18.3 W
Type 220 Rainbow RGBW	24 V	90 mm	14.5 W
Type 220 single colour smart running light	24 V	105 mm	12.5 W

