

Mini Profile

Safety notes

- The electrical connection must be carried out by a qualified electrician.
- The supply voltage must be switched off before carrying out any installation or maintenance activities.
- Only use original parts from the manufacturer for maintenance and repair.
- The manufacturer accepts no liability for damage caused by improper use or extreme external influences. These are for example:
 - **Mistakes during transport and installation:**
 - excessive bending or twisting during transport, installation, and in built-in condition
 - damage due to improper transport or installation
 - tampering with the electric circuits
 - **Environmental and natural influences:**
 - overheating due to excessive ambient temperatures
 - chemical influences in the environment (e.g. sulphur)
 - dirt contamination on the inside and outside of the profile
 - overvoltages due to lightning

Please keep these instructions with the documentation of your installation.

Intended use

- The **hansen** Mini Profile is a component part, i.e. an electrotechnical component intended to be combined by the user with other components into an electrical device to form a final product in accordance with CE/VDE regulations or the product liability act respectively.
- It is designed as decorative lighting element, which can be installed inside and outside buildings. Installation and commissioning of the product is carried out by the customer.
- The Mini Profile must only be stored and operated under the permitted ambient conditions and in compliance with the connection data (see data sheet).
- Operation of the Mini Profile is only permitted with appropriate **hansen** power supplies or converters.
- The intended use includes observance of the associated technical data sheet, connection diagram and installation instructions.

Unpacking and checking the content

The packaging must be opened in such a way that the content cannot be damaged. Particular care must be taken when using sharp tools. After unpacking, immediately check the content for damage and compliance with the delivery note. Any defects or deficiencies must be notified to us immediately.

Planning and preparing the installation

- Check the installation site of the Mini Profile and the power supplies to see whether the surface is suitable for installation and whether there are any obstacles that must be removed.
- The power supplies must be installed in a protective enclosure while making sure that any excessive heat built-up is avoided during operation.
- The cable connection between the Mini Profile and the power supply must not exceed the maximum length specified in the data sheets as this will lead to excessive conduction losses.
- The cable outlet position of the profile must be considered during planning and specified in the order.

Available cable outlet positions

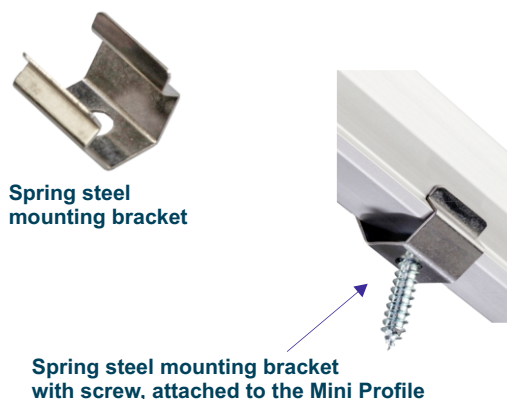


- Suitable protection of the electrical connections against dust and moisture, for example by means of an enclosure, must be provided by the customer.
- When planning the installation, make sure that the Mini Profile can be installed mechanically secure and stress-free.
- The linear thermal expansion of the acrylic cover must be taken into account by providing adequate spacing between the individual elements.
- The coefficient of linear thermal expansion of acrylic glass is 0.07 mm/(m*K).
- Guide values for the expansion per metre of profile are:
 - Indoor systems (up to 20 K temperature difference): 2 mm
 - Outdoor systems (up to 70 K temperature difference): 5 mm

Installation using mounting brackets

Draw a straight line onto the mounting surface (e.g. wall, facade or piece of furniture). Fix a mounting bracket every 50–70 cm along this line. Make sure that the brackets are aligned properly to prevent the profile from being bent or twisted.

Then simply click the Mini Profile into the brackets.
Caution: Be careful not to damage or pinch the connecting cable during installation.



Electrical connection: see connection diagram