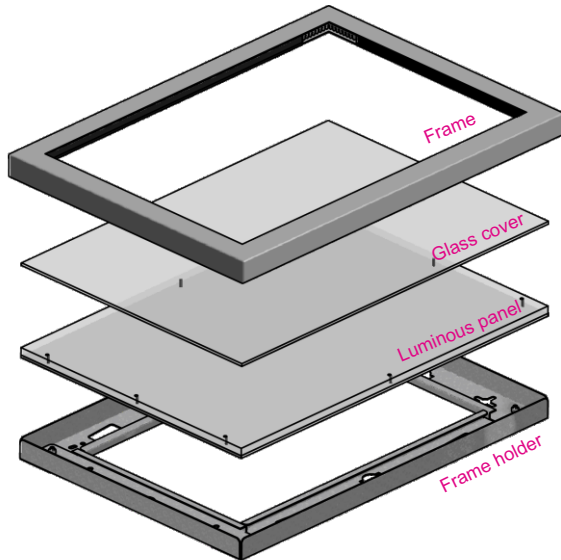
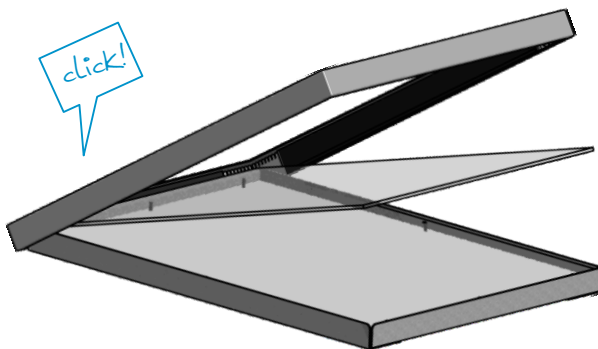


30 mm Magnetic Frame

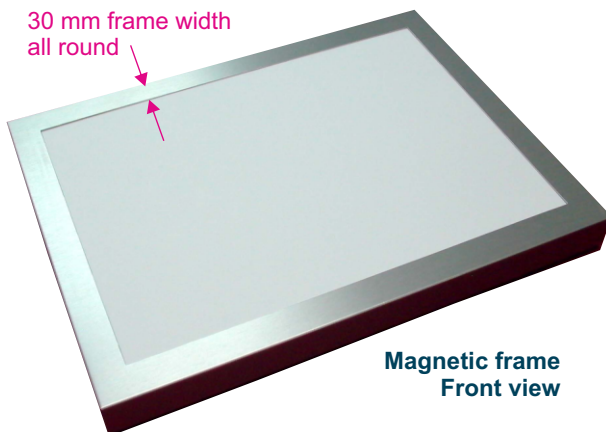
Simple to use and very attractive



The frame simply clicks together



30 mm frame width
all round



Magnetic frame
Front view

The **30 mm magnetic frame** fits all ***hansen*** luminous panels and consists of the following components:

- Aluminium frame [Alunox]
Anodized surface
- Glass pane covering the motif
Plexiglas Gallery UV 100 AR [3 mm]
- Luminous panel
- Frame holder [base element]

Place your motif onto the luminous panel and cover it with the glass pane. Then lower the magnetic frame over the glass pane until both parts of the frame click together. Connect the luminous panel to the power supply - and that's it!

Your motif is well protected and attractively illuminated - ideal for offices, surgeries, commercial and private areas.

PLEASE NOTE: The magnetic frames are not suitable for outdoor use.

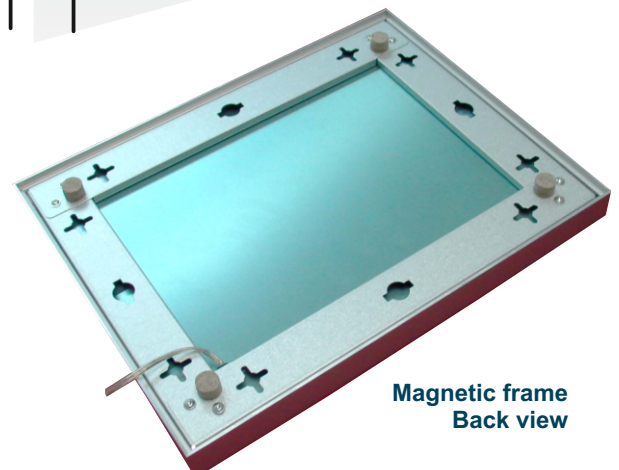
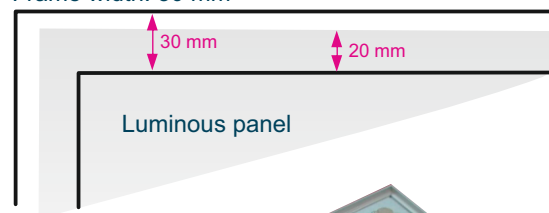
Standard sizes from 200 x 200 to 1,100 x 2,400 mm allow a variety of individual designs.

Special sizes are available on request. The luminous panel and the magnetic frame can be produced according to your individual needs.

The magnetic frame uses our 12/24 V Luminous panel illuminated by LED strips from one, two or four sides.

For dimensions and technical details of the Luminous panel please refer to the data sheet "Luminous Panel and Magnetic Frame - Dimensions".

Frame width: 30 mm



Magnetic frame
Back view



Technical modifications reserved. Content is protected by copyright.

February 2019 LD5Re-Mag/02/2019