

Frameless Luminous Panel

The **hansen** **Frameless Luminous Panel** is a flat luminaire with a very low overall depth of 21 mm. It is designed for installation inside buildings, for example as wall luminaire, architectural lighting element or for backlighting of acrylic, artificial stone or textile materials.

The **Frameless Luminous Panel** consists of a 8 mm lighttransmitting acrylic glass pane illuminated by LEDs shining into the material from one or two sides. A white acrylic rear panel reflects the light towards the front. A third acrylic pane, mounted in front of the light-transmitting pane, ensures a uniform light distribution.

The **Frameless Luminous Panel** is made to customer specification only. The following features can be specified: length, width, geometric shape, light colour (colour temperature), and connection cable length.

The panel is powered by an external power supply unit.

General data	
Type of LED connection	Parallel connection
Operating voltage	12 V
Power consumption	13.2 W/m (one illuminated side)
Light temperatures	2700K / 3000K / 4000K / 5000K / 6500K
LED spacing	12 mm
Circuit board pitch	36 mm
Degree of protection	IP50
Protection class	III
Ambient temperature range	+5 °C to +40 °C
Residual luminous flux	> 70% after 50,000 operating hours
Conformity	CE, RoHS
Minimum dimensions	150 x 150 mm
Maximum width	2,000 mm
Max. height (between LEDs)	1,000 mm
Overall depth (thickness)	21 mm (± 1.5 mm)
Weight	24 kg/m ²

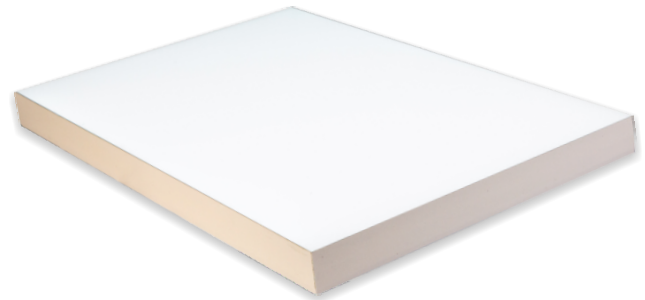
Material properties – PMMA (acrylic):	
Manufacturing process	Casting
Linear expansion	0.07 mm/(m K) (DIN 53752-A)
Reaction to fire	Building material class B2 (DIN 4102)
Flammability	HB (UL 94)

Photometric data (luminance on the surface) for panels illuminated from one side			
Type	Illuminated height	→ 200 mm	400 mm
Frameless Luminous Panel		Data to follow	

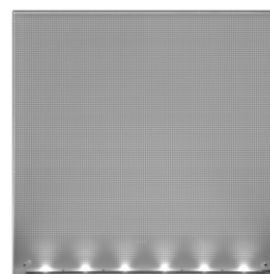
Photometric data (luminance on the surface) for panels illuminated from two sides			
Type	Illuminated height	→ 500 mm	1,200 mm
Frameless Luminous Panel		Data to follow	

All values refer to an ambient temperature of +25 °C.

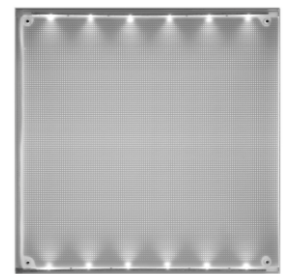
Frameless Luminous Panel



LED illumination

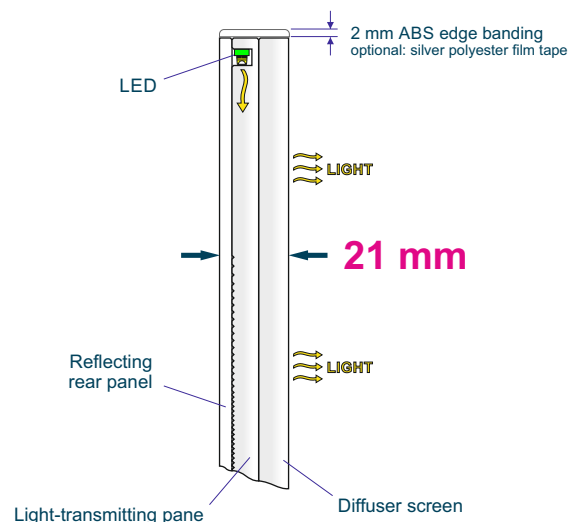


from one side



from two sides

Sectional view



Technical modifications reserved. Content is protected by copyright.

February 2019 LD22e/02/2019