

Mains Filter Type 5A

Art. no. 1 9000 010

The **mains filter 5A** protects electronic devices against overvoltages, induced voltages caused by lightning or high frequency disturbances in the voltage supply.

The filter is connected between the mains and the power supplies. Multiple power supplies with a total rating of 1.150 watts (5 A) can be connected.

The **mains filter 5A** protects connected loads against impulse voltages of up to 4.000 volts between all conductors (L, N, PE). It is universally applicable and protects electronic devices from other suppliers as well.

Technical Data:

Rated voltage: 230 V, +/- 10 %, 50/60 Hz

Rated current: 5 A

Discharge current L-N: 10 kA

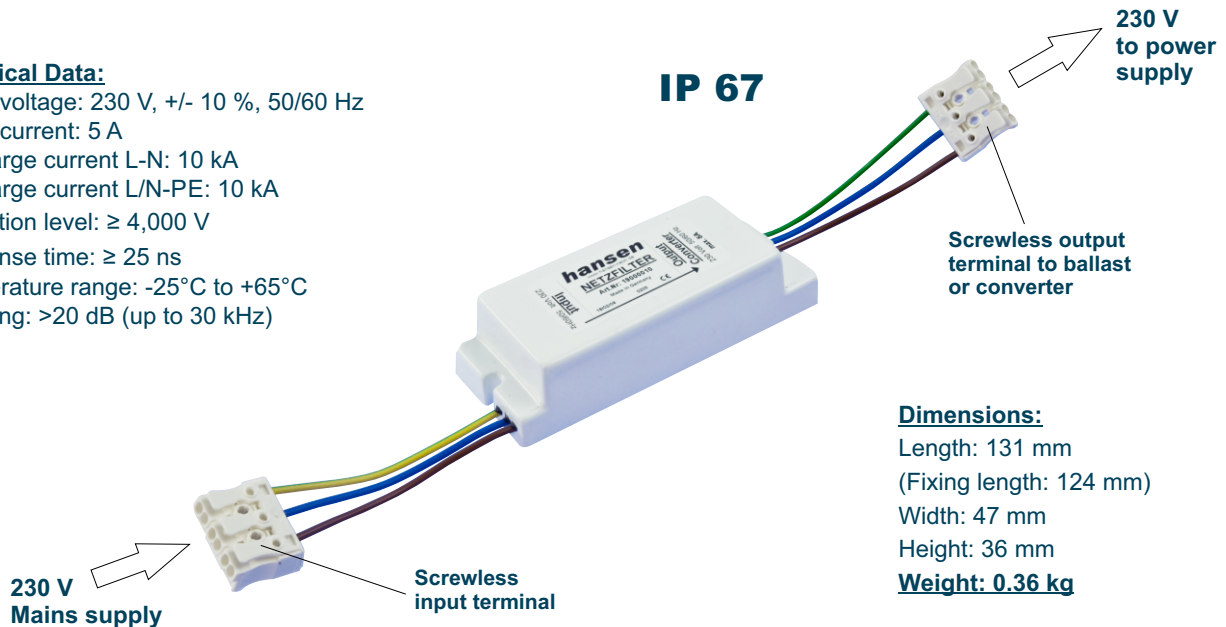
Discharge current L/N-PE: 10 kA

Protection level: $\geq 4,000$ V

Response time: ≥ 25 ns

Temperature range: -25°C to $+65^{\circ}\text{C}$

Damping: >20 dB (up to 30 kHz)



Dimensions:

Length: 131 mm
(Fixing length: 124 mm)

Width: 47 mm

Height: 36 mm

Weight: 0.36 kg

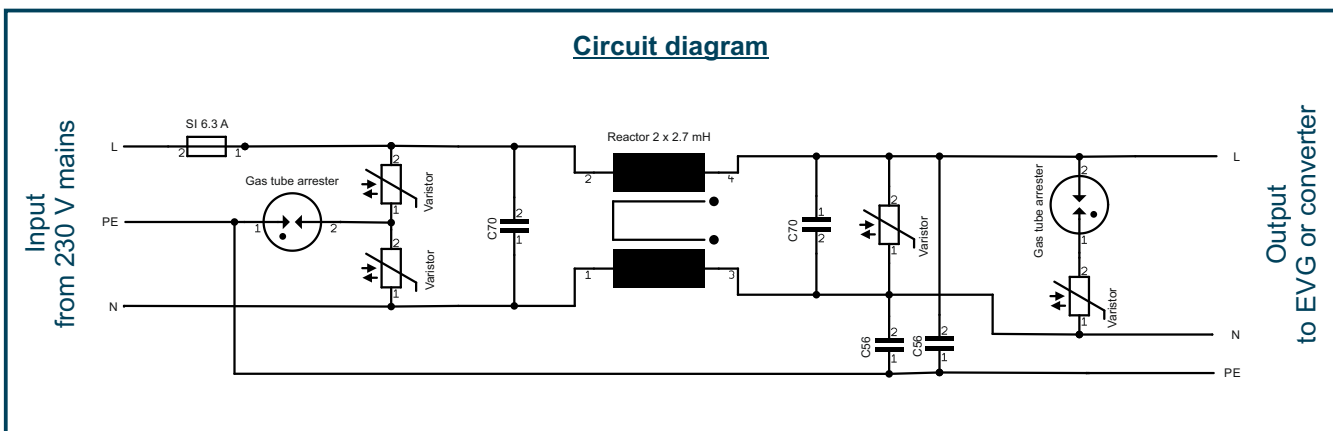
The **mains filter 5A** has been dimensioned in accordance with the following standards:

EN 55015: Limits and methods of measurement of radio disturbance characteristics of electrical lighting and similar equipment

EN 61547: Equipment for general lighting purposes / EMC immunity requirements

The above-mentioned standards require immunity against impulse voltages of 1,000 volts between L and N or 2,000 volts between L or N and PE respectively. All Hansen EVGs and converters fulfil these requirements. The **mains filter 5A** increases the withstand voltage to 4,000 volts.

Circuit diagram



Technical modifications reserved. Content is protected by copyright.

January 2019 L69e/01/2019